

MACRO TRACKING SYSTEM

GENERAL DESCRIPTION

Macro Tracking System is designed for long distance point-to-point tracking applications. Which is based on Vega 25 Pan-Tilt Positioner.

System suitable for Magnetron Data Link communication module. These two systems can work in combined with each other.

Payloads up to 25 Kg and different antenna types can be used in tracking applications.

Thanks to the built-in compass and GPS module, the system automatically finds its own position and true north direction when it is turned on.



KEY SPECIFICATIONS

- Compatible with Wide Range of Antennas
- Installation Time Under 30 Minutes

MACRO TRACKING SYSTEM

MAGNETRON

TECHNICAL DATA

Mechanical

Pan Speed	0.0008 RPM to 20 RPM (0.005°/s - 120°/s)
Tilt Speed	0.0008 RPM to 15 RPM (0.005°/s - 90°/s)
Azimuth Angle	720° or Nx360° (Slip-Ring)
Elevation Angle	±90° (180°)
Payload Capacity	25Kg
Resolution	0.005°
Position Repeatability	0.01°
Backlash	0.12°
Rotational Limits	Fixed and Programmatically Adjustable
Motor Type	Hybrid Servo Motor
Material	Stainless Steel
Surface Finish	Powder Coated
Dimension (mm)	1850x1100x1100
Weight (Kg)	18Kg

Environmental Test Standards

Mechanical	MIL-STD-810G
EMI/EMC	MIL-STD-461F

Electrical

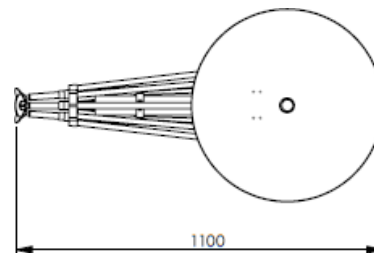
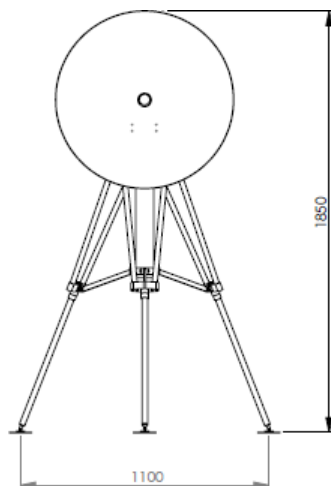
Tracking	GPS/RSSI
True North Calibration	Compass/DGPS
Antenna Type	Patch/Dish/Yagi
Operating Voltage	18-48 VDC (220 VAC Optional)
Current Consumption	Max. 3.5A @ 24VDC
Position Feedback	Optical Encoder
Control Interface	RS-232/422/485, Ethernet
Control Protocol	Magnetron ACU, Pelco-D
Connectors	MIL-DTL-38999
Sensors	Pressure, Temperature, Humidity, RTC, Gyroscope
GNSS Receiver	L1 Bant, 2.5m (GPS&GLONASS), 0.05 m/s, 0.3°
MTBF	45.000 hour

Operating Conditions

Temperature	-20°C to +55°C
Humidity	%95 R.H.
Altitude	5000ft
IP Rating	IP66

Storage Conditions

Temperature	-40°C to +70°C
Humidity	%95 R.H.
Altitude	5000ft



All units in mm