

MOBILE GROUND STATION

GENERAL DESCRIPTION

Magnetron Mobile Ground Station has integrated tablet-based computer, transceiver module and onboard GPS receiver.

Because of the integrated battery and IP67 compatible design, system can operate outdoor conditions without sacrificing performance.

For the cloud-based operations it has RS-232/422/485, Ethernet and Wi-Fi interfaces.



KEY SPECIFICATIONS

- IP67
- Compatible with Magnetron Tracking Solutions

MOBILE GROUND STATION

MAGNETRON



TECHNICAL DATA

Electrical

Frequency range	70 MHz to 6 GHz
Bandwidth	56 MHz
Receiver Sensitivity	-115 dBm
Modulation Mode	GFSK/FSK/OOK/MSK/ASK
GPS	L1/L2 GNSS
Data Rate	20 Mbps
Interfaces	Ethernet/Wi-Fi/RS-232/422/485
Transceiver	4 x Receiver/Transmitter 3 x 1 Gbit Ethernet Port
Ports	2 x RS-232 Port 2 x RS-422/485 Port 3 x USB Port
Voltage Outputs	12/24 VDC
Operating Voltage	220 VAC/12-32 VDC

Environmental Test Standards

Mechanical	MIL-STD810G
EMI/EMC	MIL-STD461F

Mechanical

Material	ABS
Dimension (mm)	515 x 419 x 180
Weight (Kg)	8 Kg

PC Specs

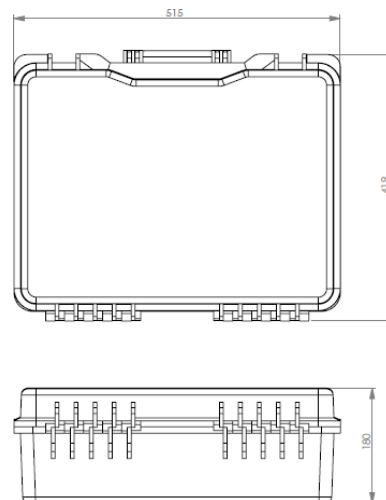
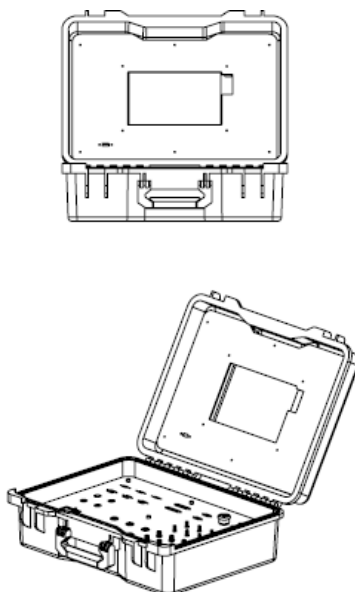
Operating System	Android/Windows
Processor	ARM/Intel i7
RAM	16 GB/32 GB
Screen	10.1" Touchscreen

Operating Conditions

Temperature	-40°C to +70°C
Humidity	%95 R.H.

Storage Conditions

Temperature	-40°C to +70°C
Humidity	%95 R.H.



All units in mm