

RS-ECO

GENERAL DESCRIPTION

The RS-ECO radiosonde is designed for reliable measurement of the atmospheric profile of pressure, temperature, humidity, wind speed and wind direction from the ground to a height of 40 km. Data records are continuously sent to the ground station via a stable radio connection. All sensors are supplied "Ready-to-Fly" 100% factory-set calibrated.

KEY SPECIFICATIONS

- FM35 TEMP Code
- STANAG Code
- Ready to Fly
- WMO Performance



TECHNICAL DATA

Electrical

Frequency Range 400 MHz to 406 MHz

GPS L1/L2 GNSS

Battery Lithium Battery

Operating Time >240 min

Mechanical

Material White Foam

Dimension (mm) 130x55x50

Weight (Kg) 100

Operating Conditions

Temperature -95°C to +65°C

Humidity %100R.H.

Storage Conditions

Temperature -40°C to +85°C

Humidity %95 R.H.

Temperature

Range -95°C to +65°C

Resolution 0.01°C

Accuracy ±0.4°C

Response Time 0.5s

Humidity

Range 0 %R.H. to 100 %R.H.

Resolution 0.1 %R.H.

Accuracy ±4.0 %R.H.

Response Time 0.3s

Pressure

Range 10 hPa to 1200 hPa

Resolution 0.01 hPa

Accuracy ±0.3 hPa

Response Time 0.5s

Wind Direction

Range 0° to 360°

Resolution 0.1°

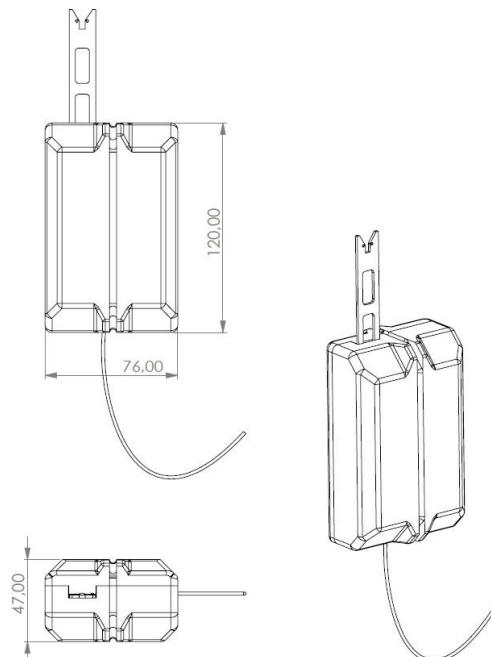
Accuracy ±1.0°

Wind Speed

Range 0 m/s to 180 m/s

Resolution 0.1 m/s

Accuracy ±0.15 m/s



All units in mm