



DL16-25-FDM DATA LINK

GENERAL DESCRIPTION

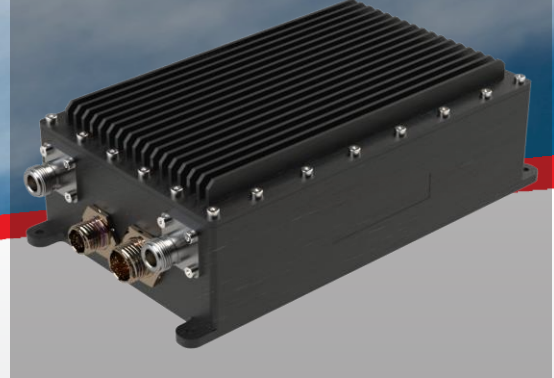
Magnetron Data Link is especially developed for point-to-point applications. Because of lightweight design, low power consumption and easy system integration Magnetron Data Link suitable for stationary and mobile platforms.

KEY SPECIFICATIONS

- SDR Based Structure
- Full-Duplex
- Up and Downlink both of Video and Telemetry Data
- Up to 20 Mbps Data Rate
- Optional H264 Video Encoder/Decoder
- Optional AES 256 Encryption
- Forward Error Correction

DL16-25-FDM DATA LINK

MAGNETRON



TECHNICAL DATA

Electrical

Frequency Range	1 GHz to 6 GHz
RF Output Power	25 Watt
Modulation	CPFSK/MSK/BPSK/QPSK/FHSS
Data Rate	Up to 20 Mbps
Interfaces	UDP/TCPRS-232/422/485
FEC	Reed Solomon (Optional)
Data Encryption	AES256 (Optional)
RF Connector	N-Type
Connector	MIL-DTL-38999
Operating Voltage	18-32 VDC

Environmental Test Standards

Mechanical	MIL-STD-810G
EMI/EMC	MIL-STD-461F

Mechanical

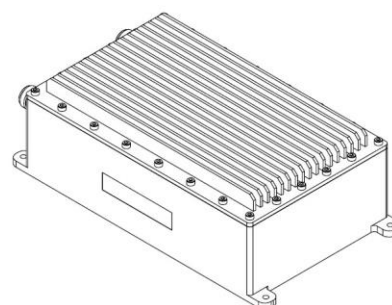
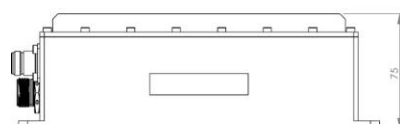
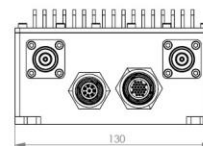
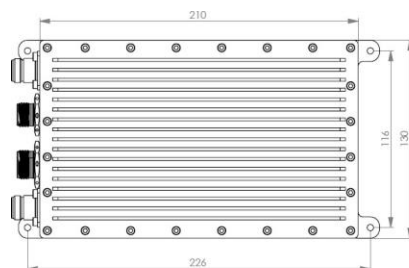
Material	6061 Aluminum Alloy
Surface Finish	Anodized
Dimension (mm)	210x130x75
Weight (g)	850

Operating Conditions

Temperature	-40°C to +85°C
Humidity	%95 R.H.
Altitude	50000ft

Storage Conditions

Temperature	-40°C to +85°C
Humidity	%95 R.H.
Altitude	50000ft



All units in mm