



RACK-MOUNT GROUND STATION



GENERAL DESCRIPTION

Magnetron Ground Station has integrated high-powered Windows 10 based computer, internal GNSS receiver and rack-mount compatible design. Control station can be easily integrated into antenna tracking systems

It can be integrated into cloud-based systems for different applications thanks to RS-232/422/485, Ethernet, and Wi-Fi communication interfaces.

Image-based tracking algorithms can be used thanks to the optional AI processing unit.

KEY SPECIFICATIONS

- 5U Rack-Mount Design
- On Board Computer
- Compatible with Magnetron Tracking Solutions

RACK-MOUNT GROUND STATION

MAGNETRON



TECHNICAL DATA

Electrical

Frequency Range	70 MHz to 6 GHz
Bandwidth	56 MHz
Receiver Sensitivity	-115 dBm
Modulation Mode	GFSK/FSK/OOK/MSK/ASK
GPS	L1/L2 GNSS
Data Rate	20 Mbps
Interfaces	Ethernet/Wi-Fi/RS-232/422/485
Transceiver	4 x Receiver/Transmitter
	3 x 1 Gbit Ethernet Port
Ports	2 x RS-232 Port
	2 x RS-422/485 Port
	2 x USB Port
Voltage Outputs	12/24 VDC
Operating Voltage	12-32 VDC/220 VAC

Environmental Test Standards

Mechanical	MIL-STD-810G
EMI/EMC	MIL-STD-461F

Mechanical

Material	Stainless Steel
Surface Finish	Powder Coated
Dimension (mm)	5U Rack-Mount Compatible
Weight (Kg)	15 Kg

PC Specs

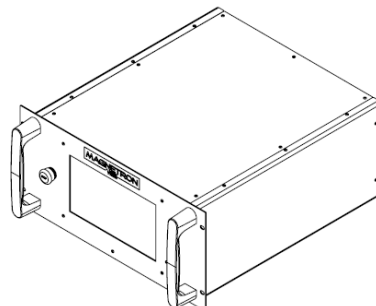
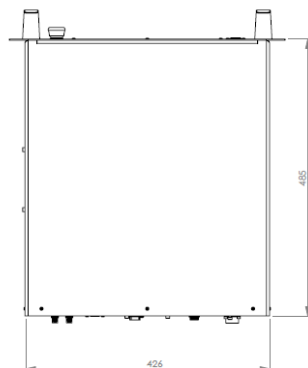
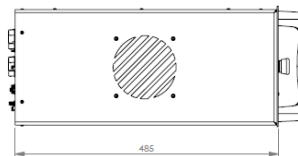
Operating System	Windows 10 Pro
Processor	Intel i9
RAM	64 GB
Screen	10.1" Touchscreen
AI Unit	56 Core

Operating Conditions

Temperature	-10°C to +60°C
Humidity	%95 R.H.

Storage Conditions

Temperature	-20°C to +60°C
Humidity	%95 R.H.



All units in mm